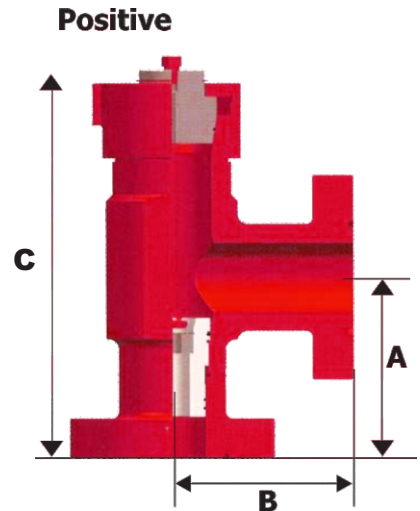
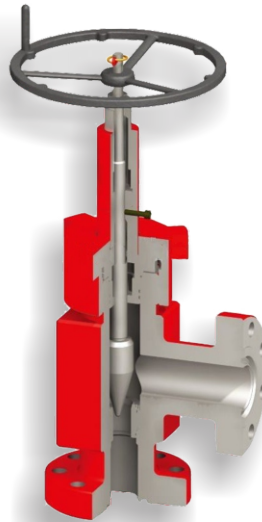


Production Chokes / Flanges

Positive and Adjustable Chokes are designed for reliable flow control and maximum wear life. **SWECO's** chokes are available in flanged or threaded ends, bore sizes from 1-13/16" thru 2-1/16" nominal sizes and standard or special trim options. Actuation Adaptable, OEM interchangeable and API 6A PSL 1 thru 4

SWECO can supply companion and WECO® flanges for your operation.



Configuration	Inlet Size	Working Pressure	Outlet Size	Working Pressure	A	B	C	Part Number
SW PC	2-1/16"	5,000	2-1/16"	5,000	9.38"	7.50"	13.88"	
SW PC	1-13/16"	10,000	1-13/16"	10,000	9.19"	7.50"	14.12"	
SW AC	2-1/16"	5,000	2-1/16"	5,000	9.38"	7.50"	13.88"	
SW AC	1-13/16"	10,000	1-13/16"	10,000	9.19"	7.50"	14.12"	



Flange Size	Working Pressure	Connection	Part Number
1-13/16"	10,000	2" LP	
1-13/16"	10,000	2-3/8" EUE 8rd	
2-1/16"	5,000	2" LP	
2-1/16"	5,000	2-3/8" EUE 8rd	
2-9/16"	5,000	2-7/8" EUE 8rd	
2-9/16"	5,000	2-1/2" LP	

Production Chokes / Flanges

SWECO can supply a full line of WECO® flanges with working pressures of 10,000 through 15,000 in many different sizes for the particular needs of your operation.

